

Service
Service
Service



Service Manual



CONTENTS

Block diagram
Wiring diagram

Circuit diagram - Main Board
CD MP3 Board
MCU Board

PCB Layout diagram - MainBoard
CD MP3 Board
MCU Board

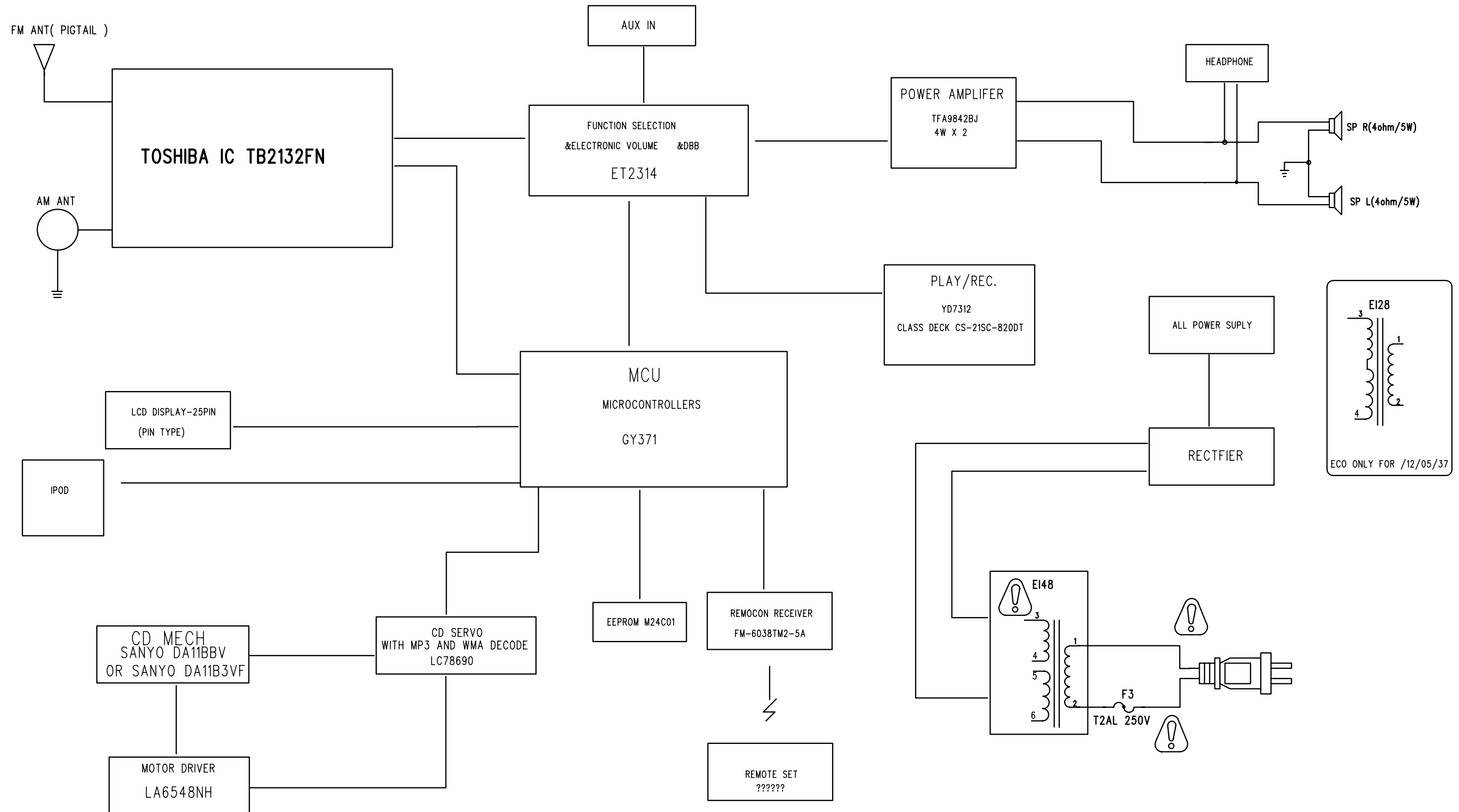
Set Exploded view diagram

Service parts list

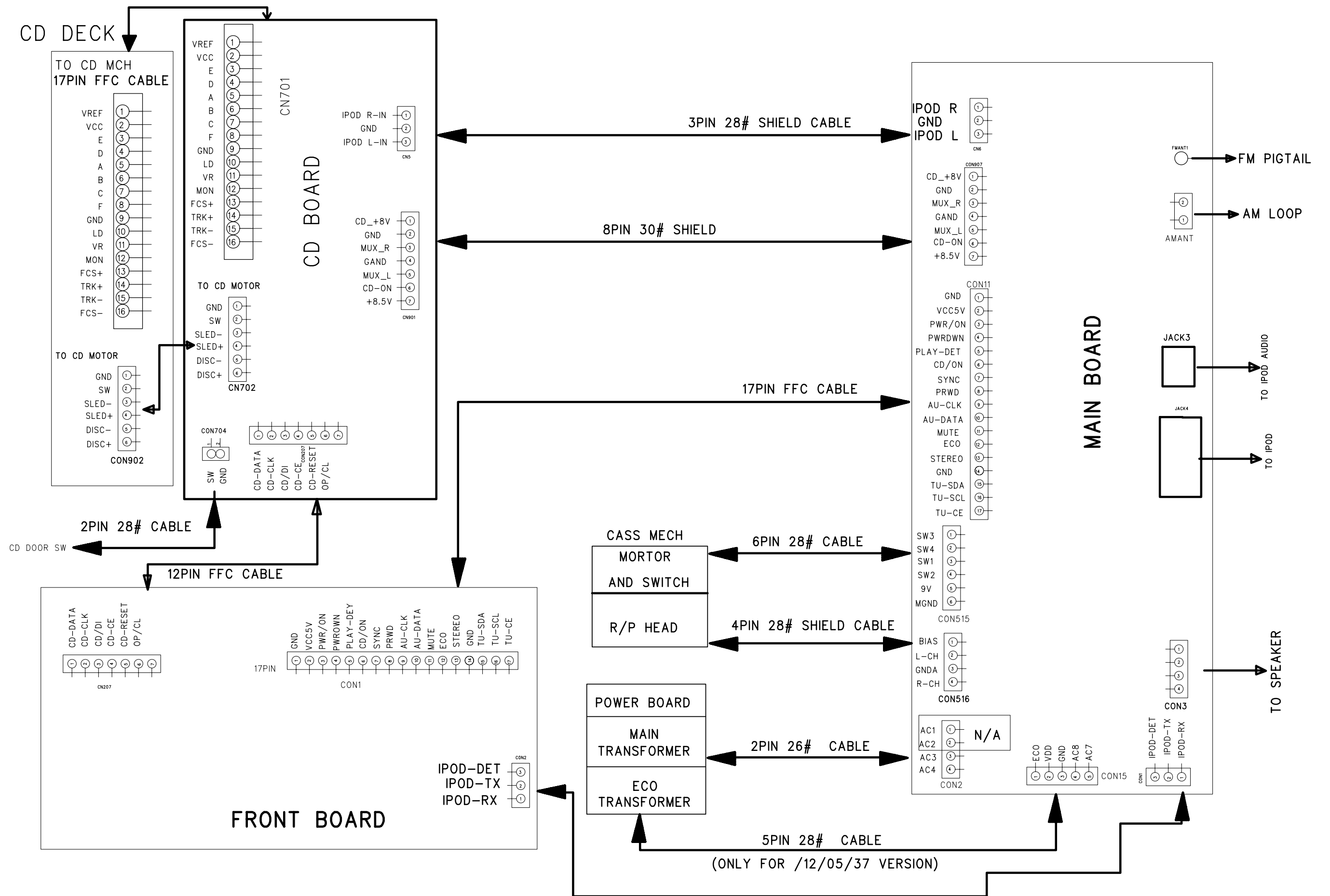
© Copyright 2007 Philips Consumer Electronics B.V. Eindhoven, The Netherlands
All rights reserved. No part of this publication may be reproduced, stored in a retrieval system or transmitted, in any form or by any means, electronic, mechanical, photocopying, or otherwise without the prior permission of Philips.



BLOCK DIAGRAM

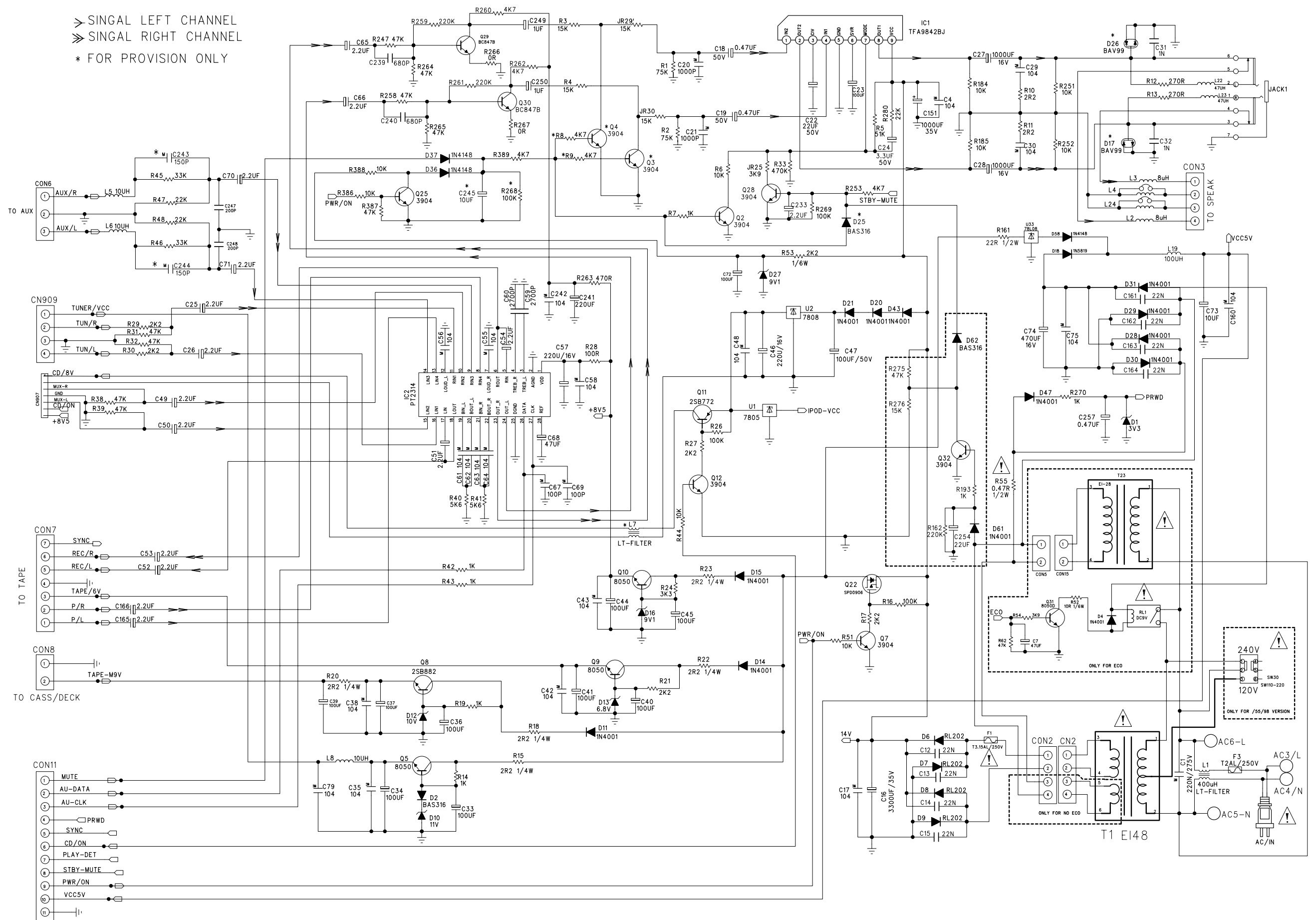


WIRING DIAGRAM

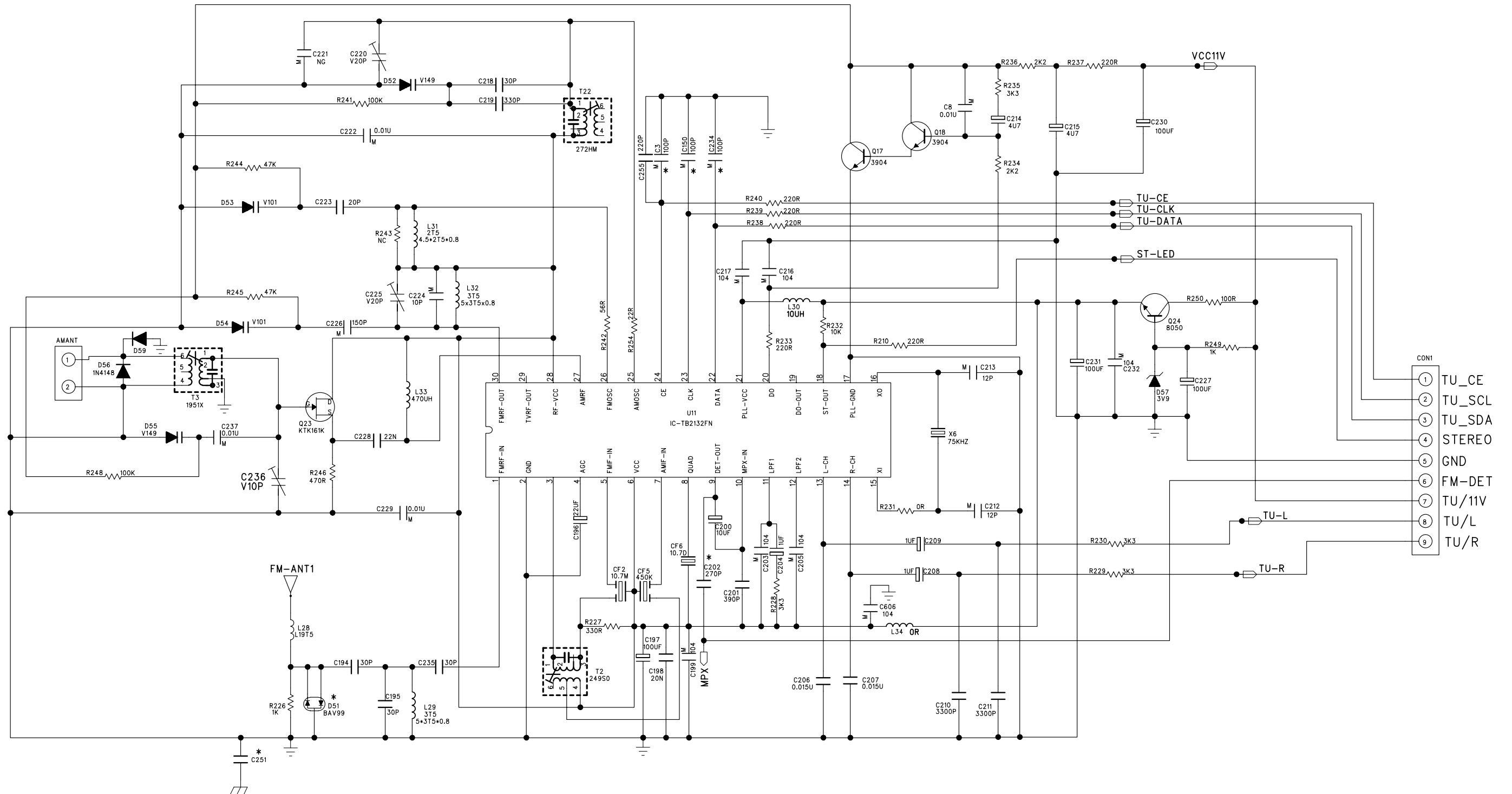


CIRCUIT DIAGRAM - MAIN BOARD AF & AMP PART

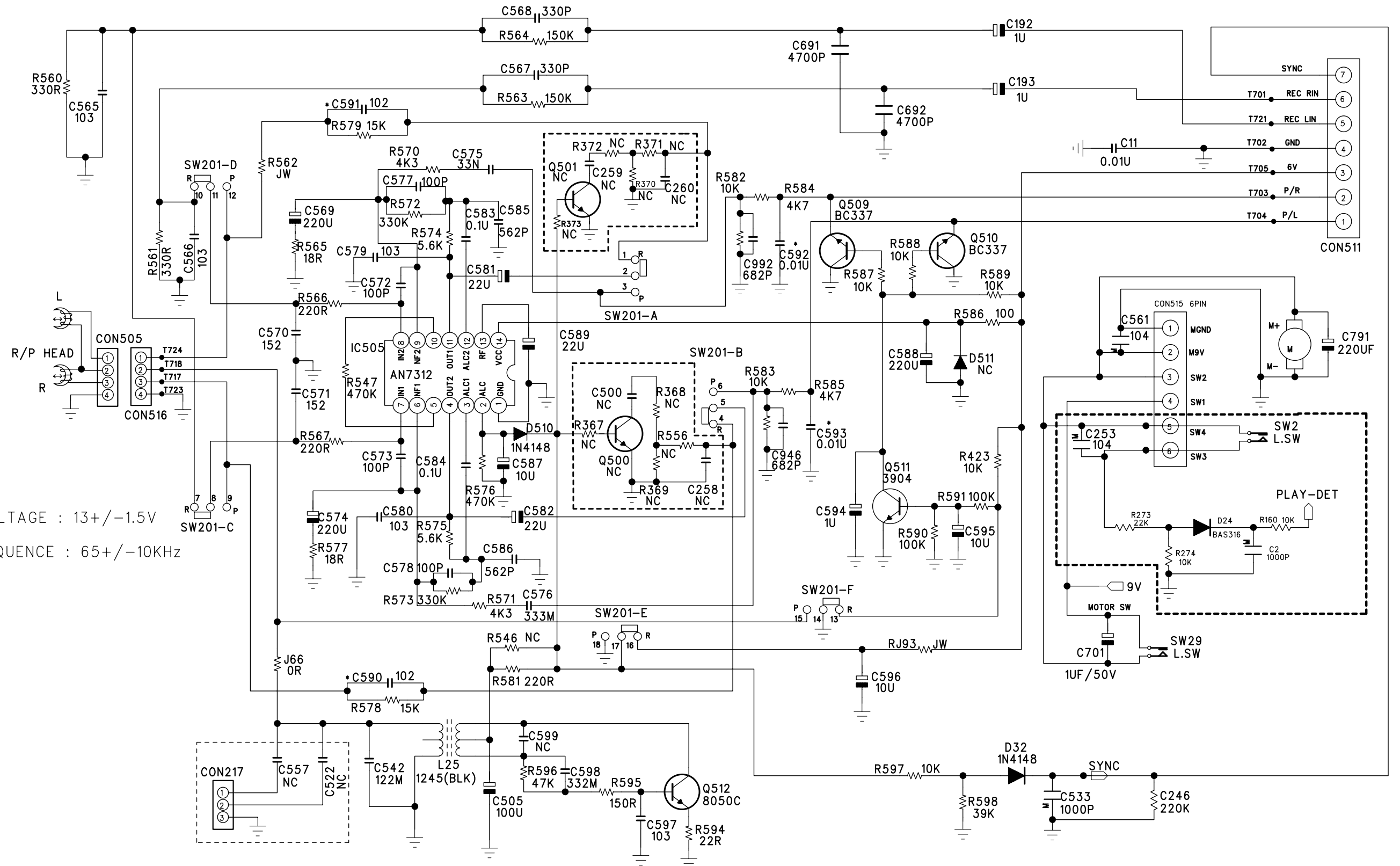
➤ SINGAL LEFT CHANNEL
➤ SINGAL RIGHT CHANNEL
* FOR PROVISION ONLY



CIRCUIT DIAGRAM - MAIN BOARD TUNER PART



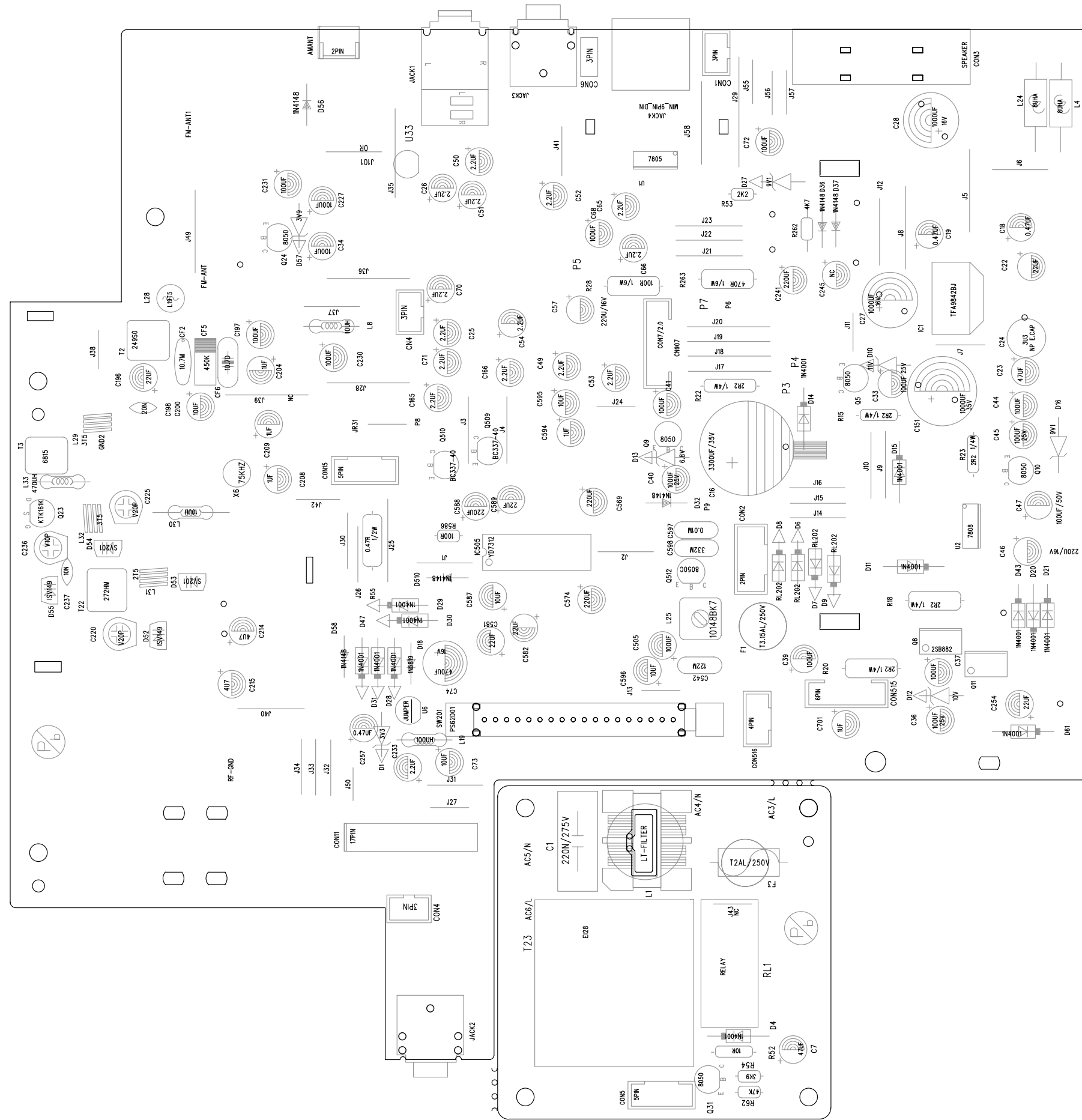
**CIRCUIT DIAGRAM - MAIN BOARD
TAPE PART**



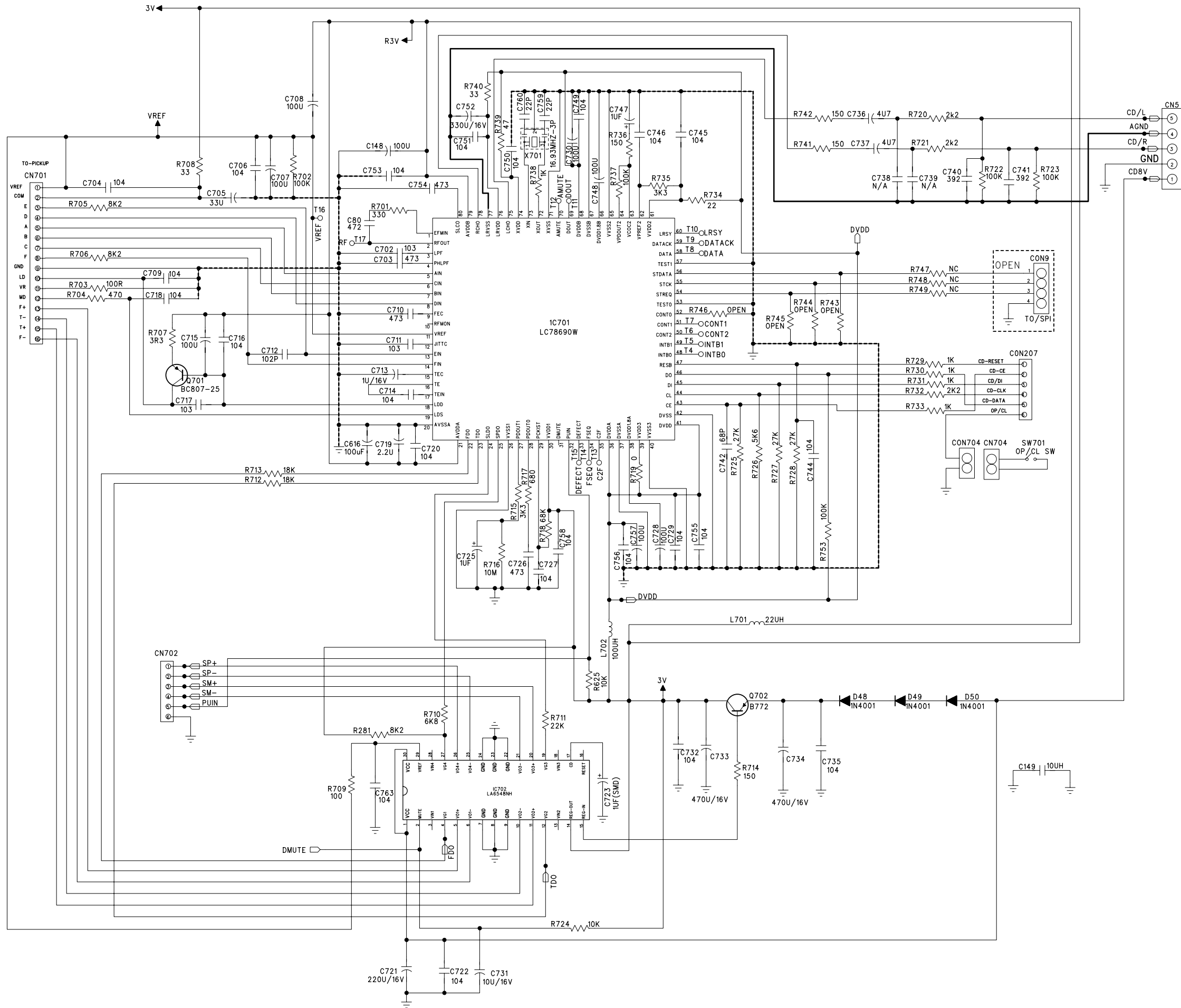
BIAS VOLTAGE : 13+/-1.5V
BIAS FREQUENCY : 65+/-10KHz

* FOR PROVISION ONLY

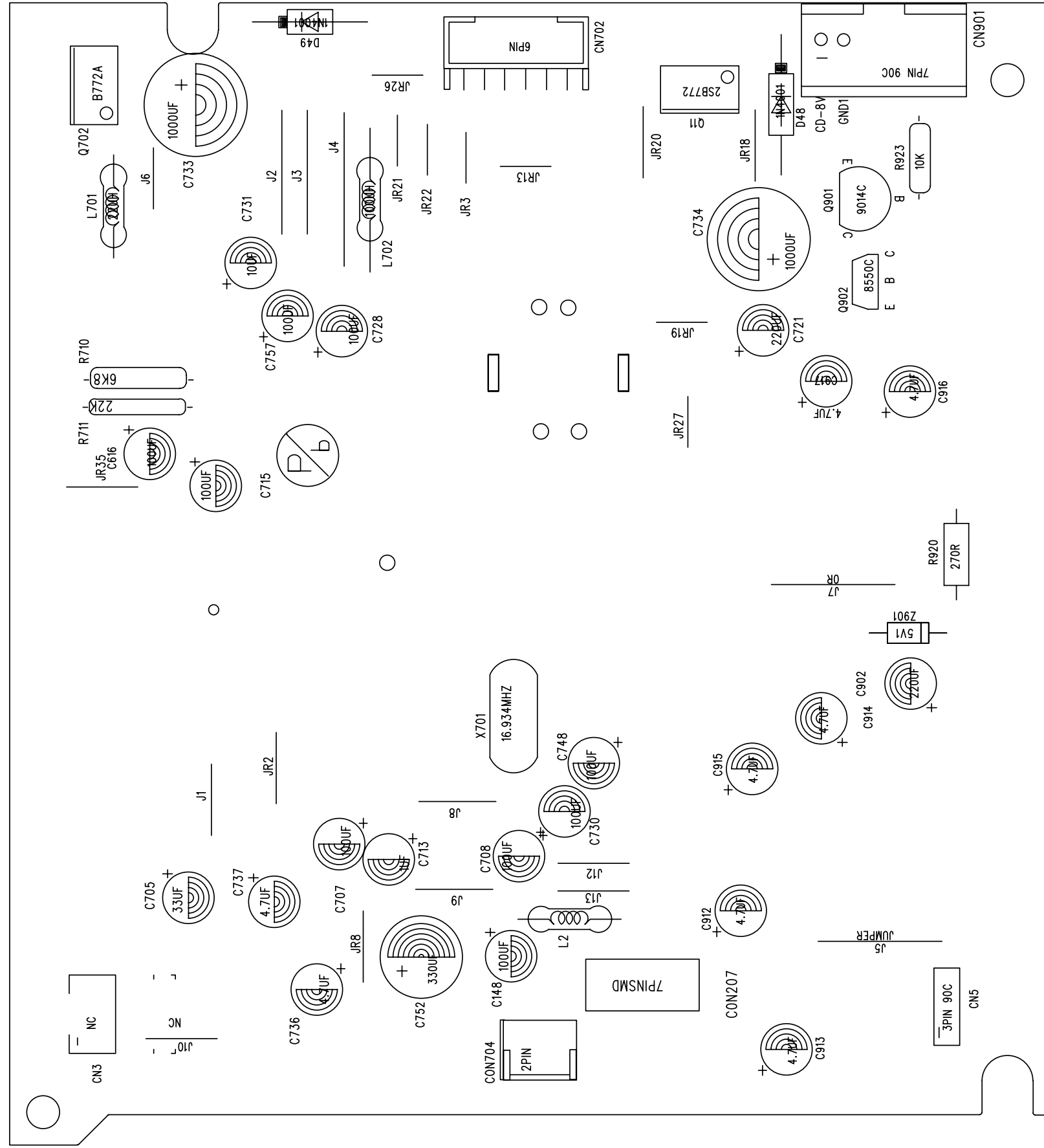
LAYOUT DIAGRAM - MAIN BOARD



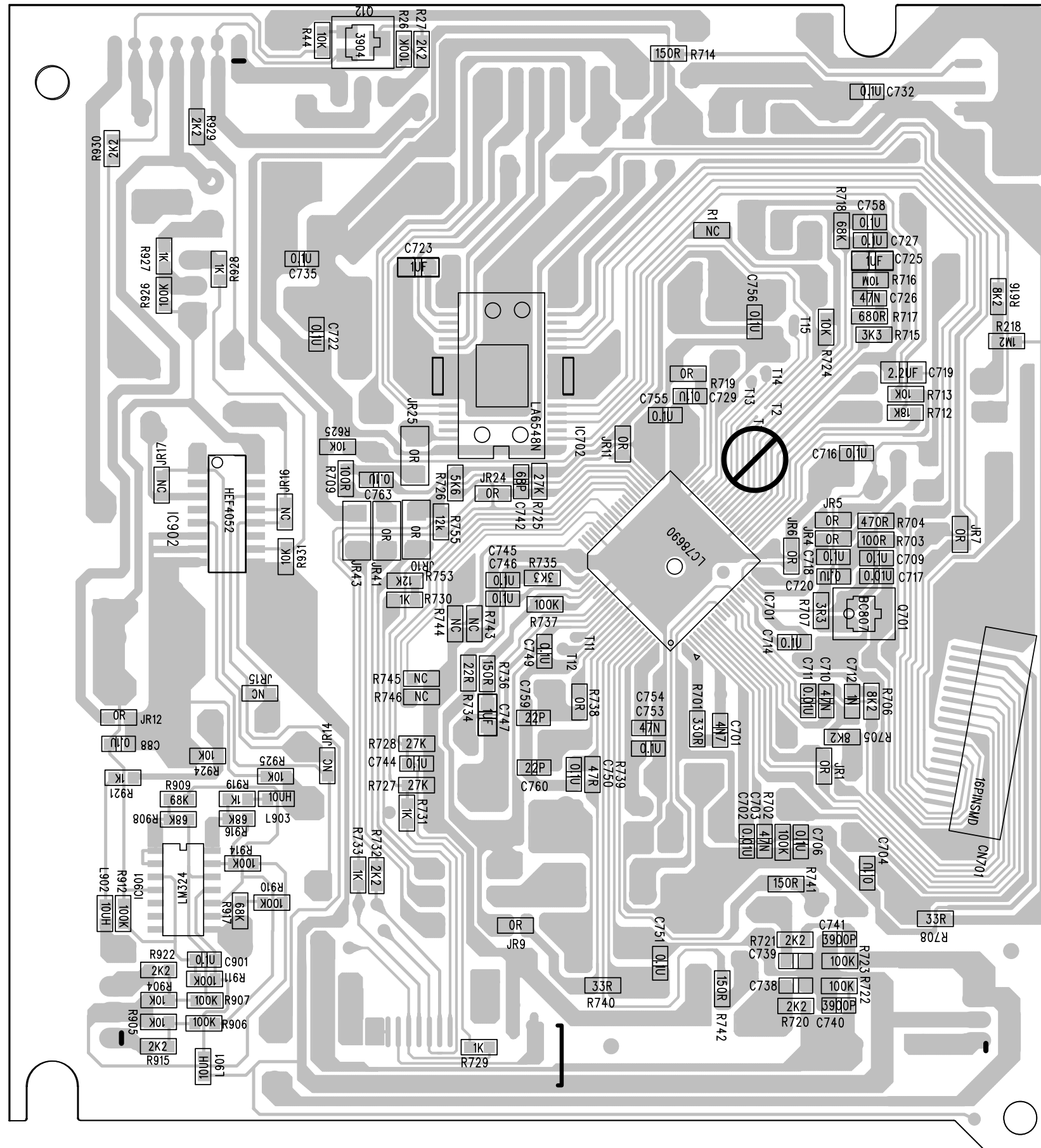
CIRCUIT DIAGRAM - CD MP3 BOARD



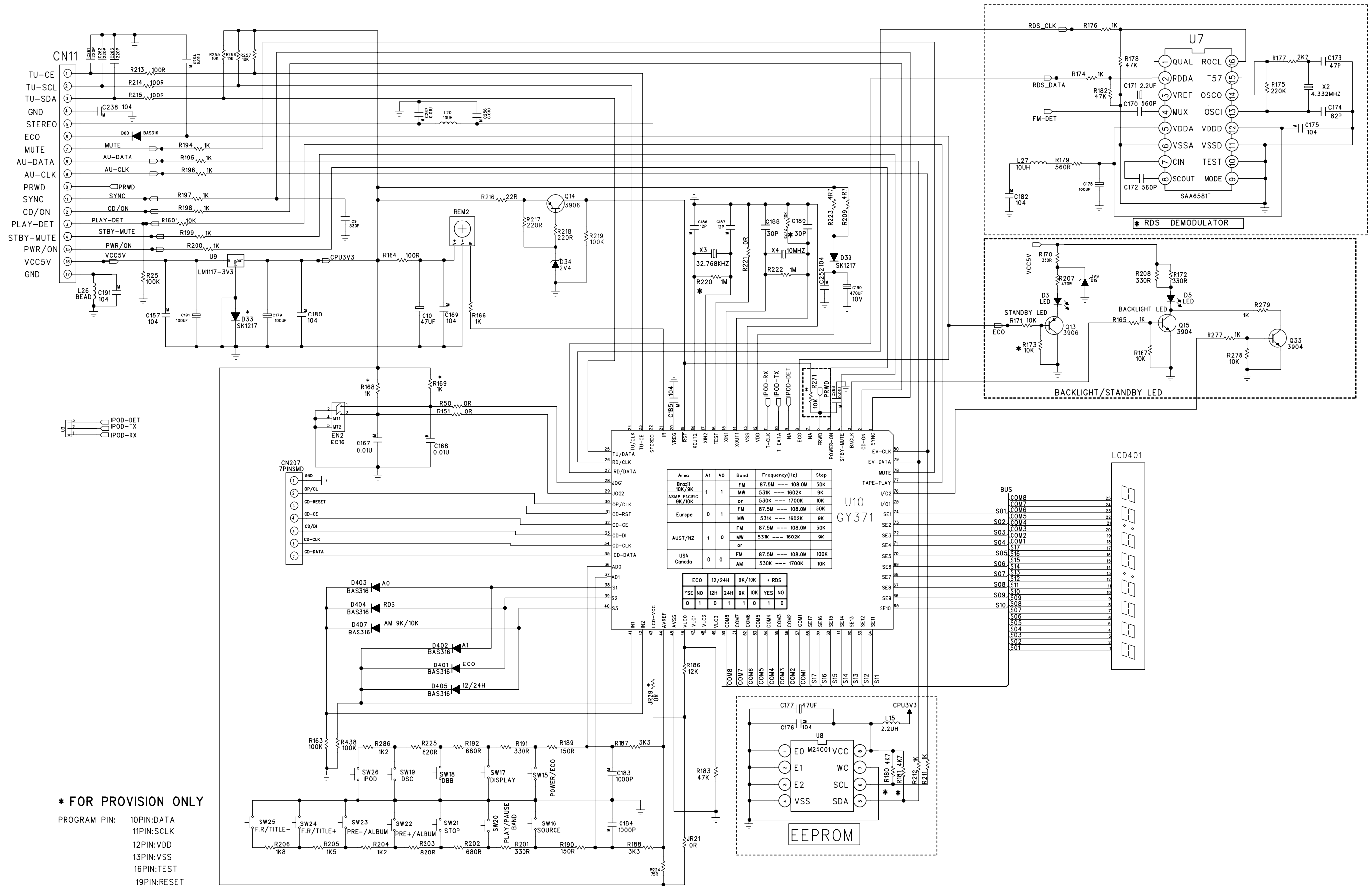
LAYOUT DIAGRAM - CD MP3 BOARD



LAYOUT DIAGRAM - CD MP3 BOARD



CIRCUIT DIAGRAM - MCU BOARD

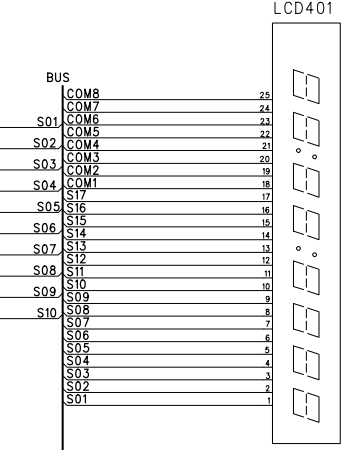
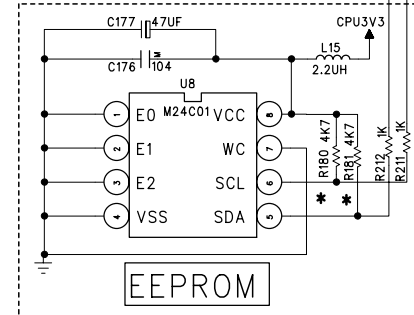


* FOR PROVISION ONLY

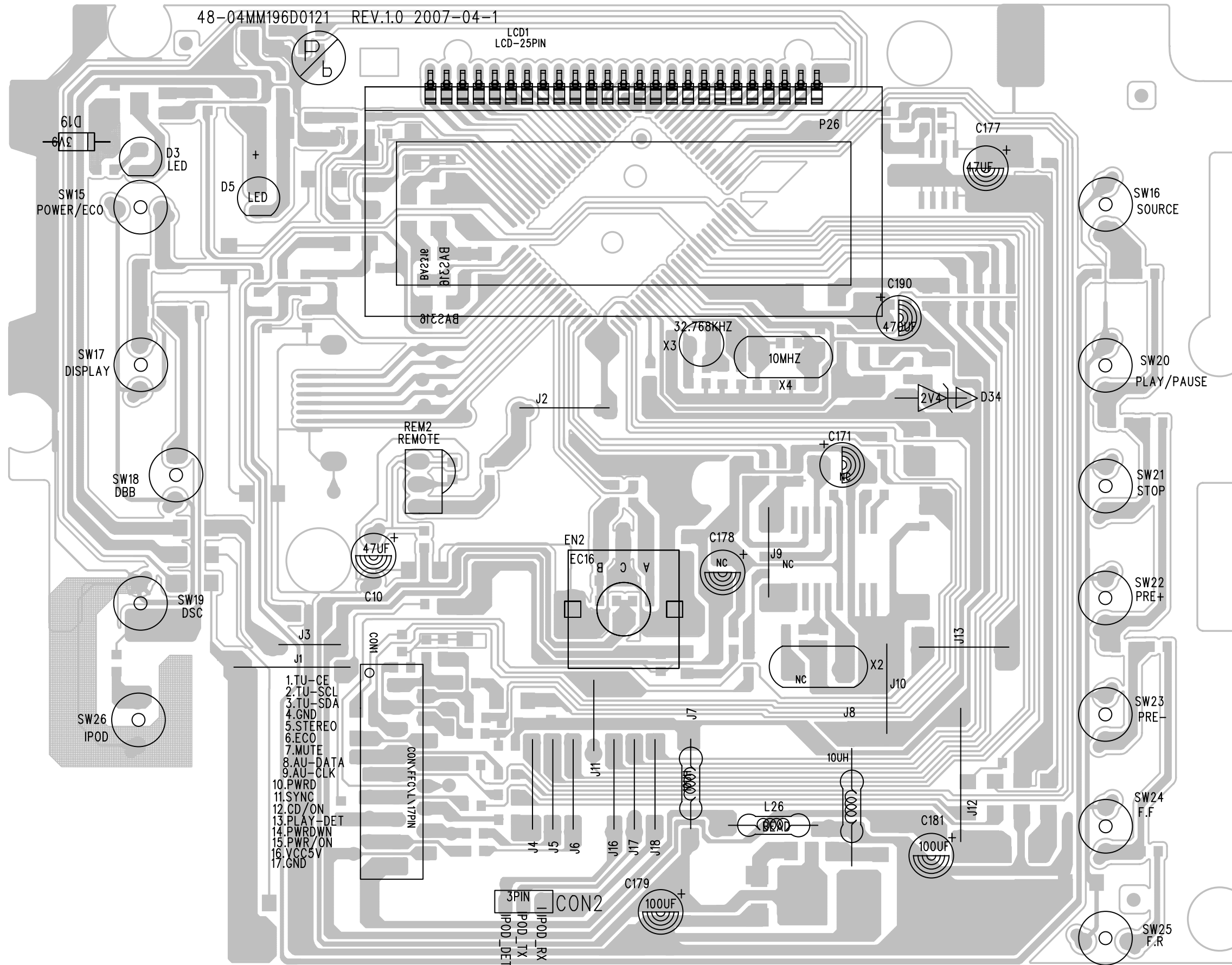
- PROGRAM PIN:
- 10PIN:DATA
 - 11PIN:SCLK
 - 12PIN:VDD
 - 13PIN:VSS
 - 16PIN:TEST
 - 19PIN:RESET

Area	A1	A0	Band	Frequency(Hz)	Step
Brazil	1	1	FM	87.5M --- 108.0M	50K
ASAP PACIFIC	1	1	MW	53K --- 1602K	9K
			or	530K --- 1700K	10K
Europe	0	1	FM	87.5M --- 108.0M	50K
			MW	53K --- 1602K	9K
AUST/NZ	1	0	FM	87.5M --- 108.0M	50K
			MW	53K --- 1602K	9K
USA	0	0	FM	87.5M --- 108.0M	100K
			AM	530K --- 1700K	10K

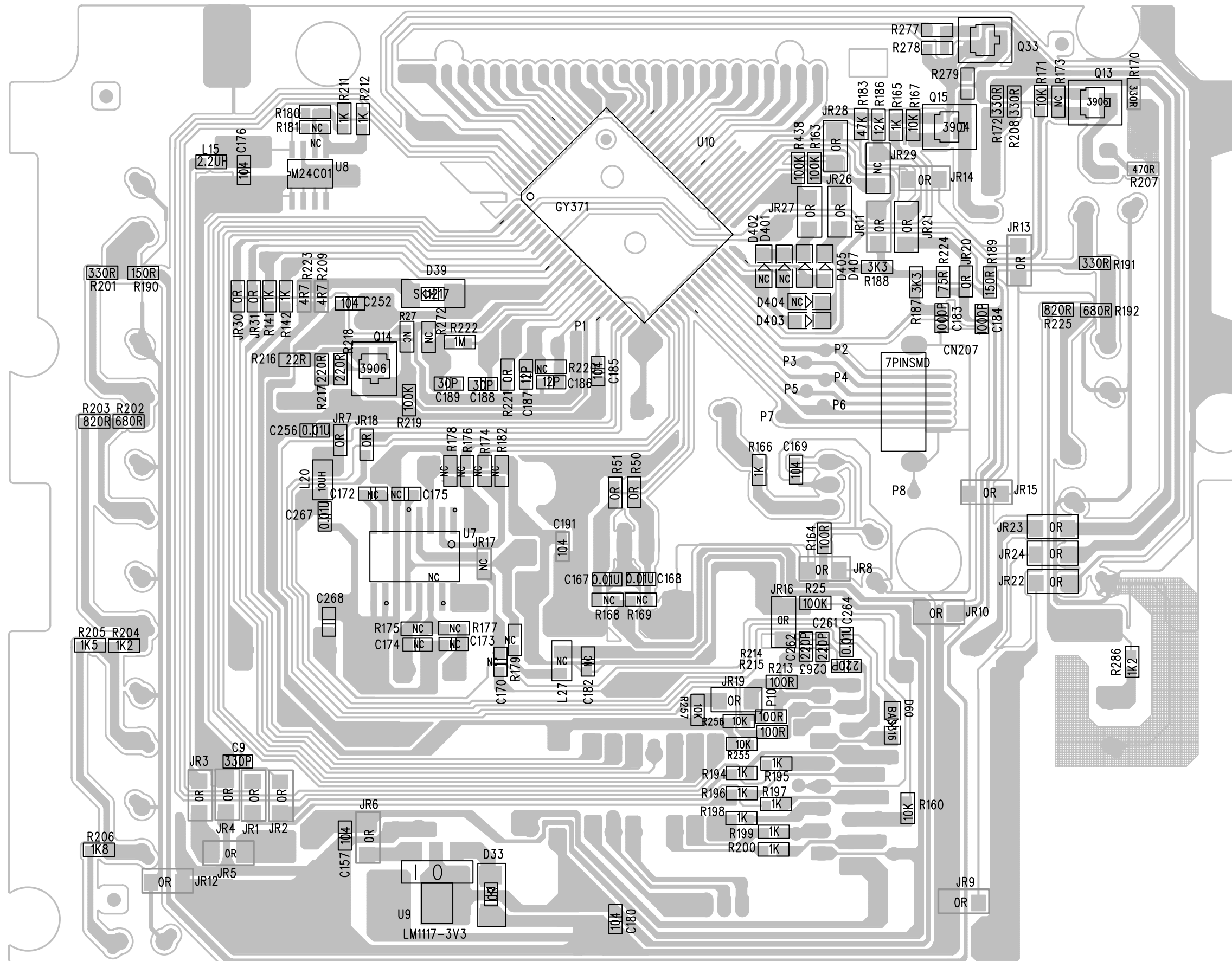
ECO	12/24H	9K/10K	RDS
YSE	NO	12H 24H	9K 10K YES NO
0	1	0 1	1 0 1 0



LAYOUT DIAGRAM - MCU BOARD

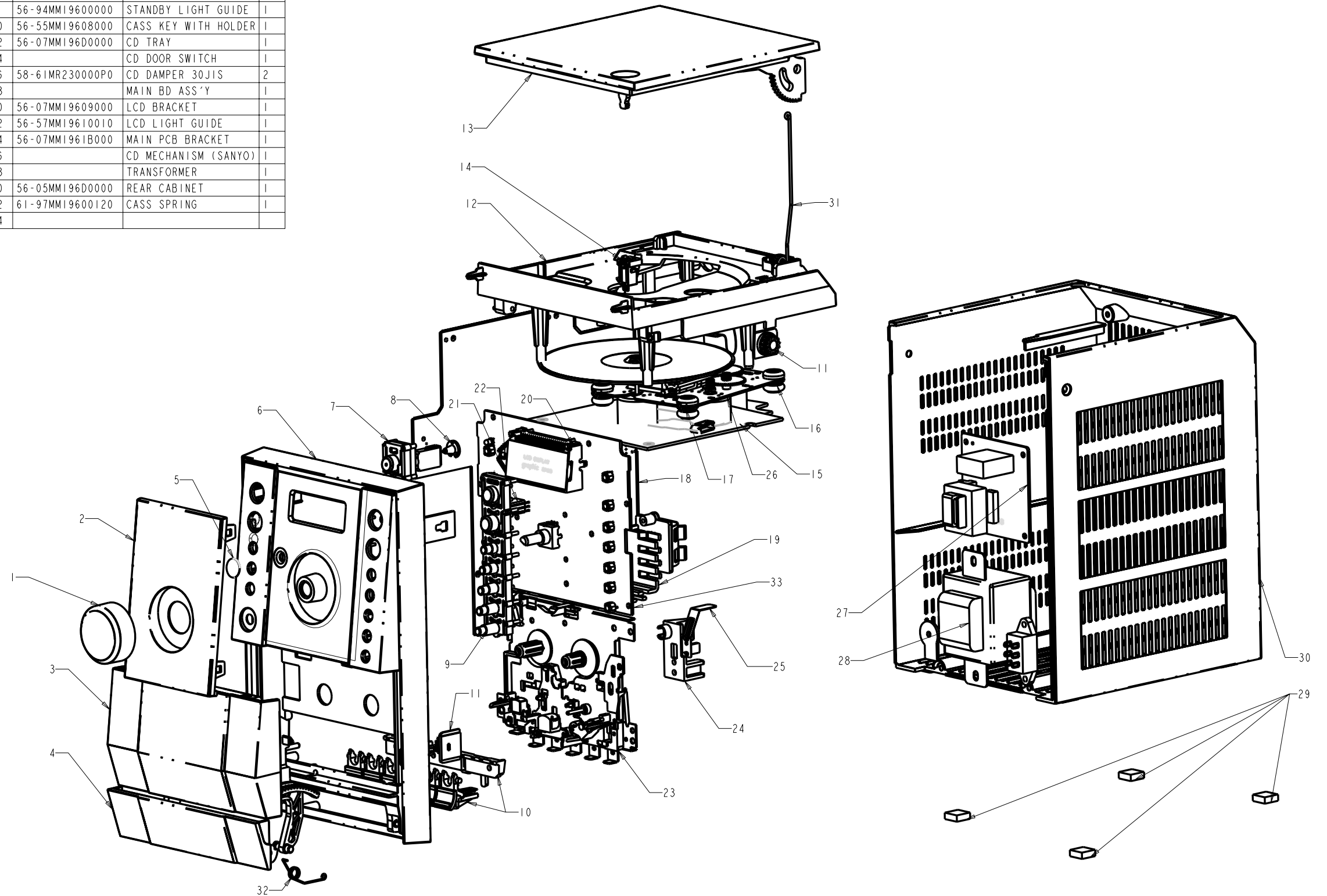


LAYOUT DIAGRAM - MCU BOARD



SET EXPLODED VIEW DIAGRAM

ITEM	PART NO.	NAME	QTY	ITEM	PART NO.	NAME	QTY
1	56-54MM0963G000	VOL KNOB	1	2	56-57MM196D0000	DISPLAY LENS	1
3	56-13MM1960A010	CASSETTE DOOR	1	4	56-22MM1960A000	CASS KEY DOOR	1
5	57-08MM19600120	IR SHEET	1	6	56-04MM196D0000	FRONT CABINET	1
7	56-54MM196D0000	POWER BUTTON	1	8	56-94MM19600000	STANDBY LIGHT GUIDE	1
9	56-54MM1965B010	CONTROL KEYS	1	10	56-55MM19608000	CASS KEY WITH HOLDER	1
11	56-24ME10008000	DAMPER GEAR ASS'Y	2	12	56-07MM196D0000	CD TRAY	1
13	56-14MM19608000	CD DOOR	1	14		CD DOOR SWITCH	1
15		CD MP3 BD ASS'Y	1	16	58-61MR230000P0	CD DAMPER 30JIS	2
17	58-61MR230100P0	CD DAMPER 40JIS	2	18		MAIN BD ASS'Y	1
19	61-48MM19600020	HEAT SINK	1	20	56-07MM19609000	LCD BRACKET	1
21	58-582802800320	CUSHION 8x8x13.5mm	1	22	56-57MM19610010	LCD LIGHT GUIDE	1
23		CASS DECK	1	24	56-07MM1961B000	MAIN PCB BRACKET	1
25	61-76MM19600020	RECORD ARM	1	26		CD MECHANISM (SANYO)	1
27		POWER BD ASS'Y	1	28		TRANSFORMER	1
29	58-263103100020	RUBBER FOOT 10X10X4	4	30	56-05MM196D0000	REAR CABINET	1
31	61-97MM19600020	CD DOOR SPRING	1	32	61-97MM19600120	CASS SPRING	1
33		FRONT BD ASS'Y	1	34			



Service parts list

10	996510000915	CASS DECK CS-21SC-820DTS
11	994000005398	CD MECHANISM DA11B3VF
12	996500040377	AC CORD CUL APP 6FT
13	996510000911	CD DAMPER-BLACK
14	996510000912	CD DAMPER-GREY
15	996510004594	IPOD DOCKING PART "MCM196D/37"
16	996510001932	IPOD HOLDER -20GB BLK
17	996510001933	IPOD HOLDER -30GB VIDEO 6G BLK
18	996510001934	IPOD HOLDER -30GB PHOTO 7G BLK
19	996510001935	IPOD HOLDER -40GB 7G BLK
20	996510001936	IPOD HOLDER -60GB 6G BLK
21	996510001937	IPOD HOLDER -60GB VIDEO 6G BLK
22	996510001938	IPOD HOLDER -NANO 7G BLK
23	996510001939	IPOD HOLDER -MINI 6G BLK
24	996510004595	DOCKING LOCK 1g(ABS) BLK
2	996510004587	PCBA-MAIN "MCM196D/37"
3	996510004588	PCBA-POWER "MCM196D/37"
4	996510004589	PCBA-MCU "MCM196D/37"
5	996510004590	PCBA-CD MP3 "MCM196D/37"
6	996510004591	REMOTE CONTROL
7	996510004592	SPK BOX PART (L+R)"MCM196D/37"
8	994000001192	AM LOOP ANTENNA LAN-031
9	996510004593	TRANSFORMER EI48 120V T08405B

Note: Only these parts mentioned in the list are normal service parts.